



DO DASH EVO | DATA SHEET

INTRODUCTION:

The DELLORTO dashboard evolution includes a larger TFT display and a slightly **small dimension** that accomplish for space constrain of Moto3 machines. The DoDASH EVO is compatible with Dellorto ECUs Do POWER 1 as well as DoPE 3.0. The Dashboard evolution includes an **improved GPS**. DoDASH EVO employs the **same connector** of Dellorto previous DoDASH with an **additional USB connection for flexible configuration by Teams via PC**. DoDASH EVO includes Race Direction warning lamp, flag display and message function, as well as virtual pit board feature.

DISPLAY:

5" TFT DISPLAY	800x480 (old DoDASH was 4,3" WQVGA 480x272)
BRIGHTNESS	800 cd/m2 (old DoDASH was 700 cd/m2)
CONTRAST RATIO	500
VIEWING ANGLE	T50/B70/L70/R70
BACKLIGHT	white LEDs
SCREEN	selectable day/night mode
DAY MODE	clear color background
NIGHT MODE	dark color background
4 CONFIGURABLE RIDER PAGES	
1 MECHANICAL PAGE	

LIGHTS:

8 TFT SIDE LIGHTS	for Flag/messages, sector lap time, pitlimiter and launch control functions
10 HIGH-BRIGHTNESS LEDS BAR	for engine RPM (freely programmable pattern and color)
GEARSHIFT FLASH	(shift regime and color is freely programmable)

BUTTONS:

4 SIDE BUTTONS	for pages navigation and quick set-up
----------------	---------------------------------------

GPS:

INTEGRATED 10HZ GPS RECEIVER	with integrated ceramic antenna
DASHBOARD TOP EDGE	must be upwards and without carbon fairing shields
GPS SYSTEMS	GNSS / GLONASS / GALILEO

OPERATING CONDITIONS:

POWER SUPPLY VOLTAGE RANGE	9 - 16V (nominal value 12,5 V)
TEMPERATURE RANGE	20 °C ÷ + 65 °C
SEALING	IP68
REVERSE POLARITY PROTECTION	

ELECTRICAL INTERFACES: _____

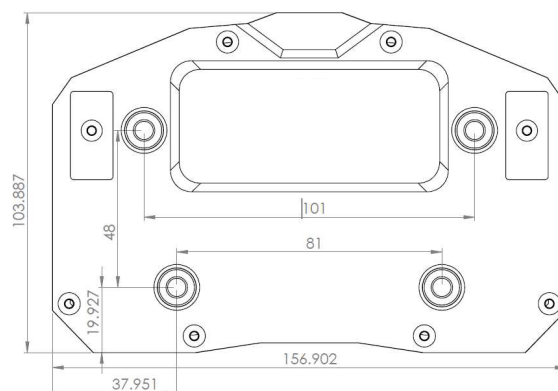
CONNECTOR	13 ways Souriau 8STA6 1035SN (same as previous DoDASH unit for compatibility with existing wiring harness)
CAN LINE COMPATIBLE	with Do POWER 1 and Do DoPE 3.0 ECUs
PIN ASSIGNMENT	1. + Battery 2. CAN H 3. CAN L 4. GND 5. AN1 6. AN2 7. AN3 8. +5V Output for sensor power supply 9. AN4 10. AN5 11. AN6 12. AN7 13. AN8

ELECTRICAL CONSUMPTION: _____

DISPLAY AT MAX BRIGHTNESS WITH LED OFF	455 mA
DISPLAY AT MAX BRIGHTNESS WITH ALL LED ON EXCLUDING GEARSHIFT FLASH	475 mA
DISPLAY AT MAX BRIGHTNESS WITH ALL LED ON INCLUDING GEARSHIFT FLASH	575 mA
OLD DODASH MAX ABSORPTION	is over 700 mA
VALUES MEASURED	with 12,5V supply

PACKAGING: _____

SIZE	157 x 104 x 28mm (old DoDASH size was 185 x 115 x 38mm)
WEIGHT	360 g (same as old DoDASH)
FIXING	4 x M4 thread insert (see below drawings)
AN ADAPTER PLATE FOR OLD SUPPORT IS ALREADY AVAILABLE	



CONTACTS: _____

TECHNICAL CONTACT	paolo.colombo@dellorto.it
SALES CONTACT	simona.ravasi@dellorto.it